

100amp 200amp 400amp Residential Overhead Service on Meter Pole

CONSTRUCTION HOTLINE

1.866.992.6619

METER ENCLOSURES:

1. Selected from the List of Approved devices as shown in the Ameren Missouri Electric Service Manual found at Ameren.com/ServiceManual.
2. 100amp, 200amp, or 400amp enclosures to be U.L. approved and equipped with Safety Lever Bypass. No Ring style meter bases allowed.
3. All unused knockouts in meter enclosure and fused/breaker disconnect must be plugged with standardized plugs.
4. All meter enclosure locations to be approved by Ameren Missouri.
5. Meter enclosures shall not be attached with non-ferrous screws or drywall screws.
6. Meter enclosure shall be installed between 3' and 5 1/2' measured from final grade to center of glass. If enclosure is mounted along a driveway/parking lot or an abutting sidewalk 36" or less, mount at 6 1/2' from center of glass.
7. NOTE: To qualify for a Residential rate, the residence must have one or more rooms used for eating, sleeping, and permanent provisions for cooking and sanitation.

POLE/MAST:

1. Pipe support clamps must be galvanized heavy-duty malleable iron or heavy gauge steel and attached securely to pole.
2. House knob attachments are provided and installed by customer, required by Ameren, and must be secured to pole.
3. Mast clamps are provided and installed by customer. No more than 30 inches apart within 6" of weatherhead.
4. Rigid metal conduit must be continuous from service head to the meter enclosure. Gray Schedule 40 conduit is permitted.
5. If service wire is over 75 feet an anchor and guy wire shall be provided and installed by customer/electrician.
6. Weatherhead shall not exceed height of pole once installed.
7. Minimum of 25 ft. class 5 utility pole is required to meet National Electrical Codes (30 ft. is preferred).
8. Service cable clearances required at lowest sag points:
[12' @ yards] [16 1/2' @ driveways] [18' @ Roadways]

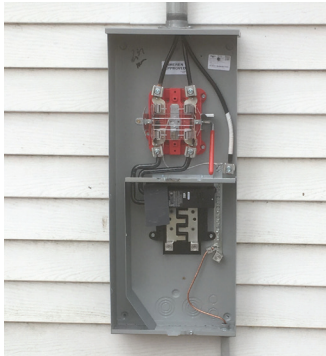
GROUNDING:

1. National Electric Code approved grounding required. For 100amp service, bond enclosure with #6 bare copper. For 200amp service, bond enclosure with #4 bare copper. For 400amp service, bond enclosure with #2 bare copper.
2. Ground wire between meter enclosure ground lug and ground rod shall be continuous with no splices.

NEC Minimum Required Wire Size

Amps	Copper	Aluminum
100	2	1/0
200	2/0	4/0
400	350 mcm	500 mcm

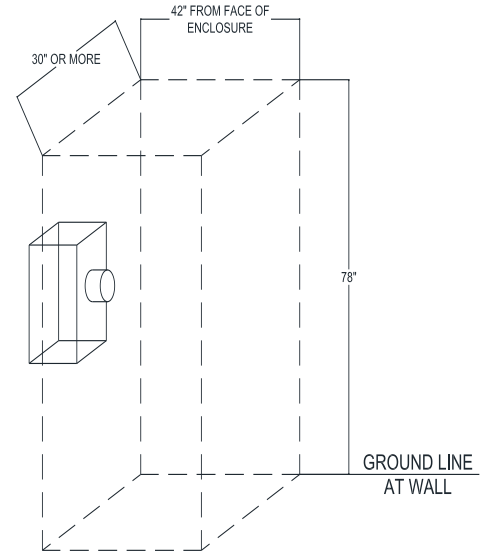
NOTE: Contact local inspection authority for their requirements



**200 Amp With Breaker
Safety Lever Bypass**



**400 Amp With Breaker
Safety Lever Bypass**



UNOBSTRUCTED WORK SPACE
30" OR WIDER

