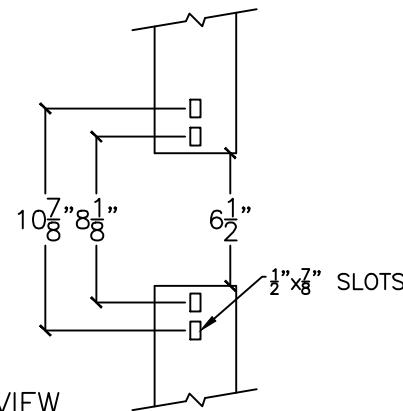


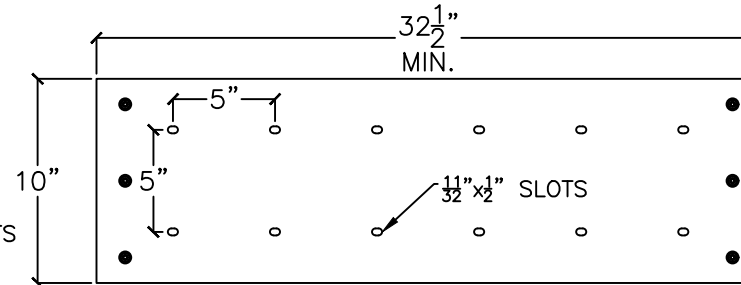
AVAILABLE SERVICE VOLTAGES:

- 120/240V 1PH3W 800A MAX, PT COMPARTMENT ELIMINATED
- 240/480V 1PH3W 400A MAX
- 240V 3PH3W 600A MAX. PT COMPARTMENT ELIMINATED
- 480V 3PH3W 600A MAX
- 240/120 3PH4W 600A MAX, PT COMPARTMENT ELIMINATED
- 208Y/120V 3PH4W 1200A MAX, PT COMPARTMENT ELIMINATED
- 480Y/277V 3PH4W 1200A MAX

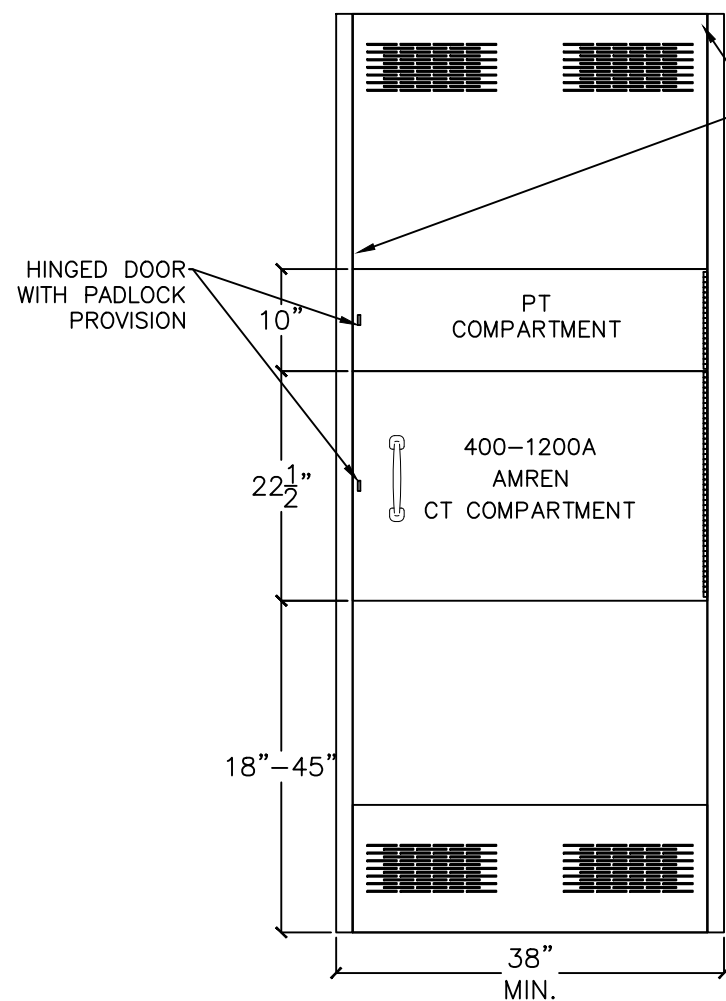
BAR TYPE CT  
MOUNTING DETAIL  
SCALE 2:1



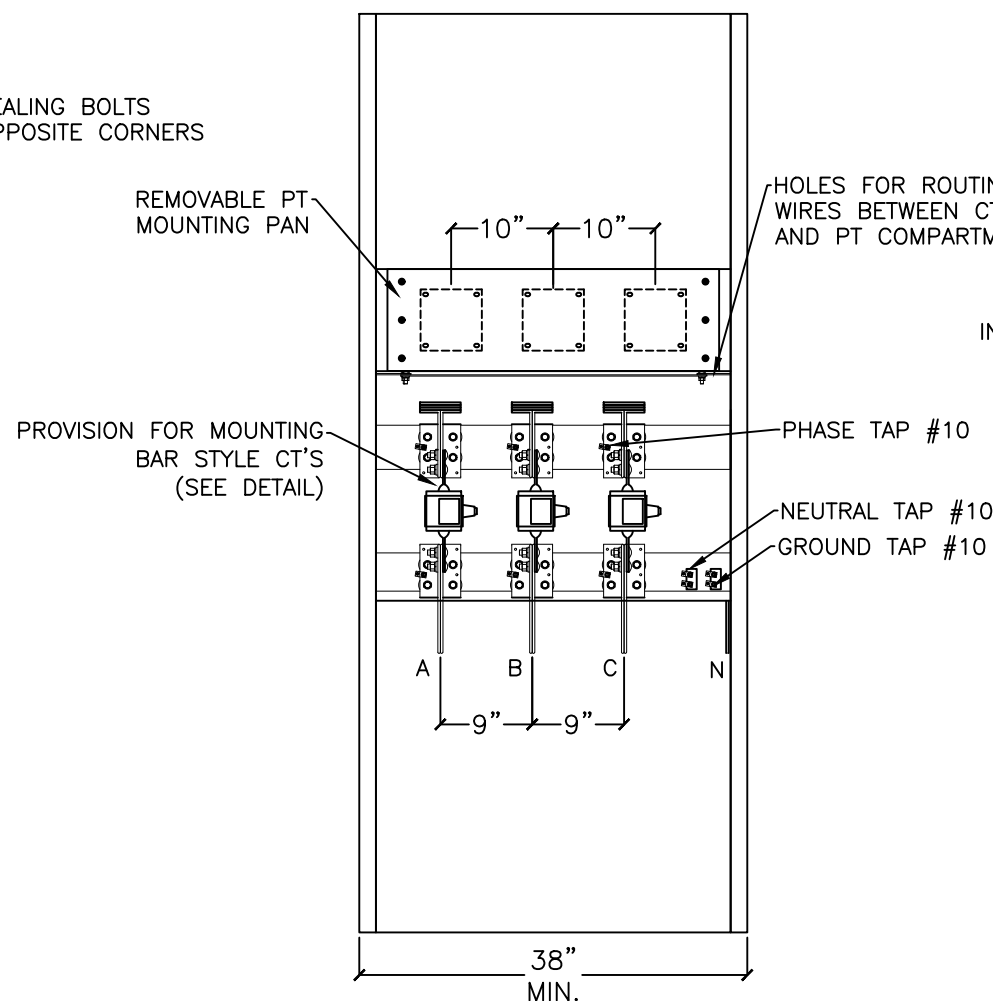
PT PAN DETAIL  
SCALE 2:1



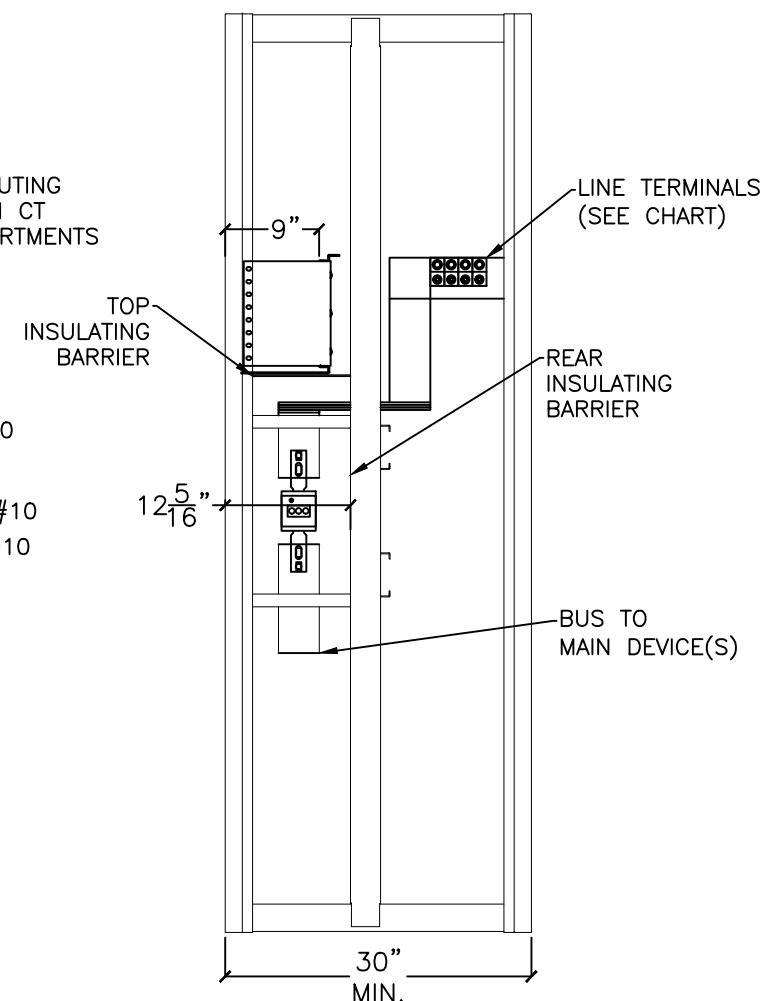
FRONT VIEW



FRONT INTERIOR VIEW  
FRONT COVERS REMOVED



SIDE INTERIOR VIEW  
SIDE COVERS REMOVED



SUPPLY AMPERAGE	LINE LUGS PROVIDED (PH & N)
400	(2) #1/0-750MCM CU/AL
600	(2) #1/0-750MCM CU/AL
800	(3) #1/0-750MCM CU/AL
1000	(4) #1/0-750MCM CU/AL
1200	(4) #1/0-750MCM CU/AL

**Ameren Approved Switchboard - EMI CT / PT Compartment**  
**208Y/120V, 480Y/277V, 800 - 1200 Amperes**  
**Overhead Feed**  
**Reference: EMI #SBCT1200TF-AM**

SBCT1200TF-AM



ELECTRO-MECHANICAL  
INDUSTRIES, INC.

13300 6TH AVE NORTH PLYMOUTH, MN 55441 web: e-m-i.com (763) 546-5998

TITLE: 400-1200A SWITCHBOARD  
TOP FEED CT METERING

DRAWING: SHEET: 5 OF 6

DATE: 10/19/2020

JOB NAME: AMEREN APPROVAL

JOB NUMBER:

JOB LOCATION:

DISTRIBUTOR:

CONTRACTOR:

DRAWN BY: ZLJ

CHECKED BY: ENGR BY:

DRAWN FOR: APPROVAL

DRAWING LOCATION:

REVISIONS:

NO.	DATE	DWG BY:	APR. BY:
1	03/30/2021	ZLJ	NA
ADD POWDER COAT FINISH NOTES			
ADD QUARTER TURN LATCHES TO PT BOX			
2	01/20/2022	ZLJ	NA
ADD SWITCHBOARD METERING COMPARTMENTS			
3	03/09/2022	ZLJ	NA
REMOVE CTB, REVISE PER AMEREN COMMENTS			

ELECTRICAL RATING

VOLTS: 600V MAX	
PHASE: THREE	WIRES: FOUR
AMPS: 400-1200	FREQUENCY: 60HZ
SHORT CIRCUIT (MAX): 100 KA MAX	
ENCLOSURE TYPE:	
BUS BAR:	
REAR COVER PLATES:	
SERVICE ENTRANCE:	STANDARD: UL891
SIX DISCONNECT RULE:	
PAINT COLOR:	

THIS DOCUMENT IS THE PROPERTY OF ELECTRO-MECHANICAL INDUSTRIES, INC. IT CONTAINS PROPRIETARY AND CONFIDENTIAL INFORMATION WHICH MUST NOT BE DUPLICATED, USED, OR DISCLOSED OTHER THAN EXPRESSLY AUTHORIZED BY ELECTRO-MECHANICAL INDUSTRIES, INC. OR ITS REPRESENTATIVE.